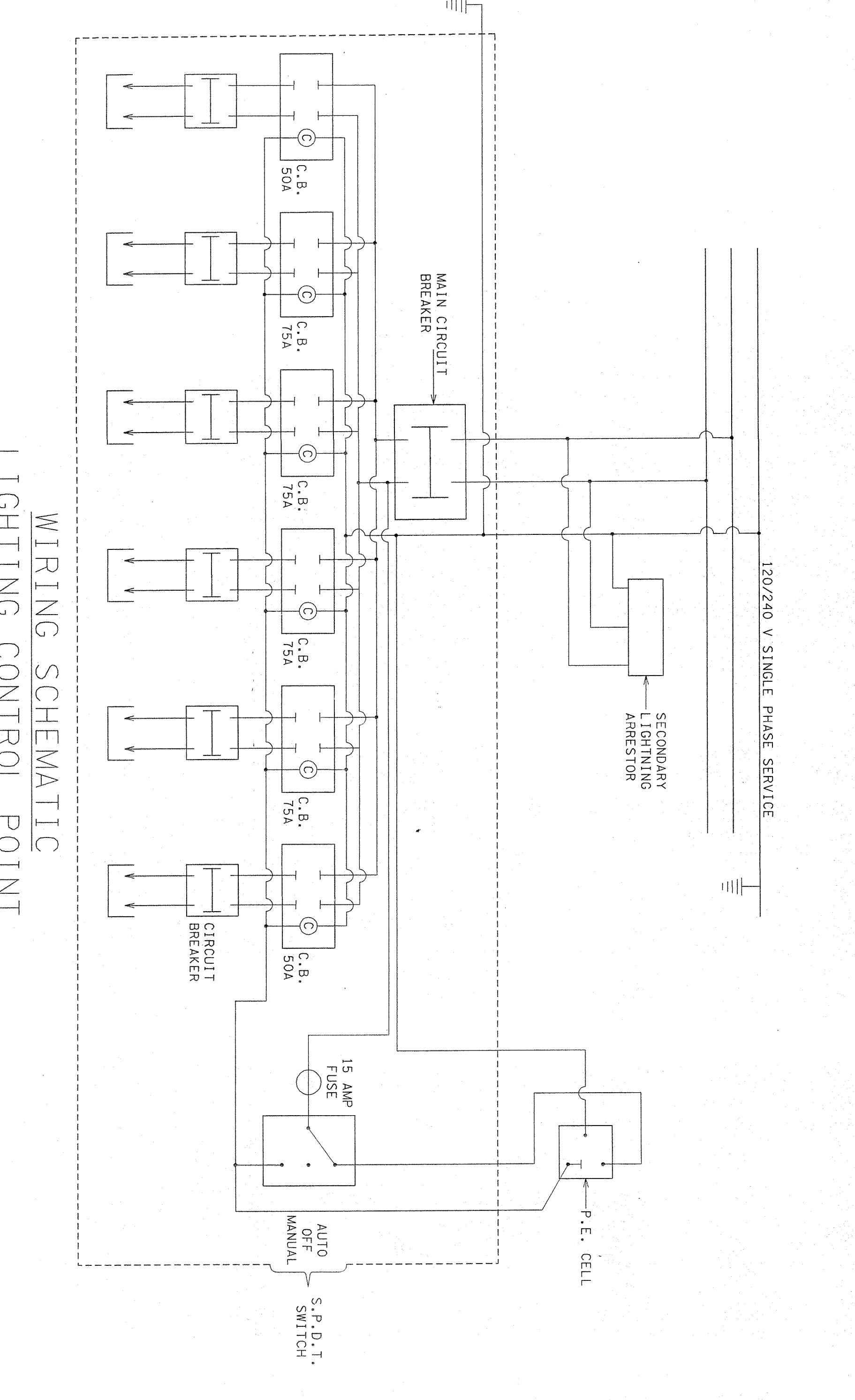
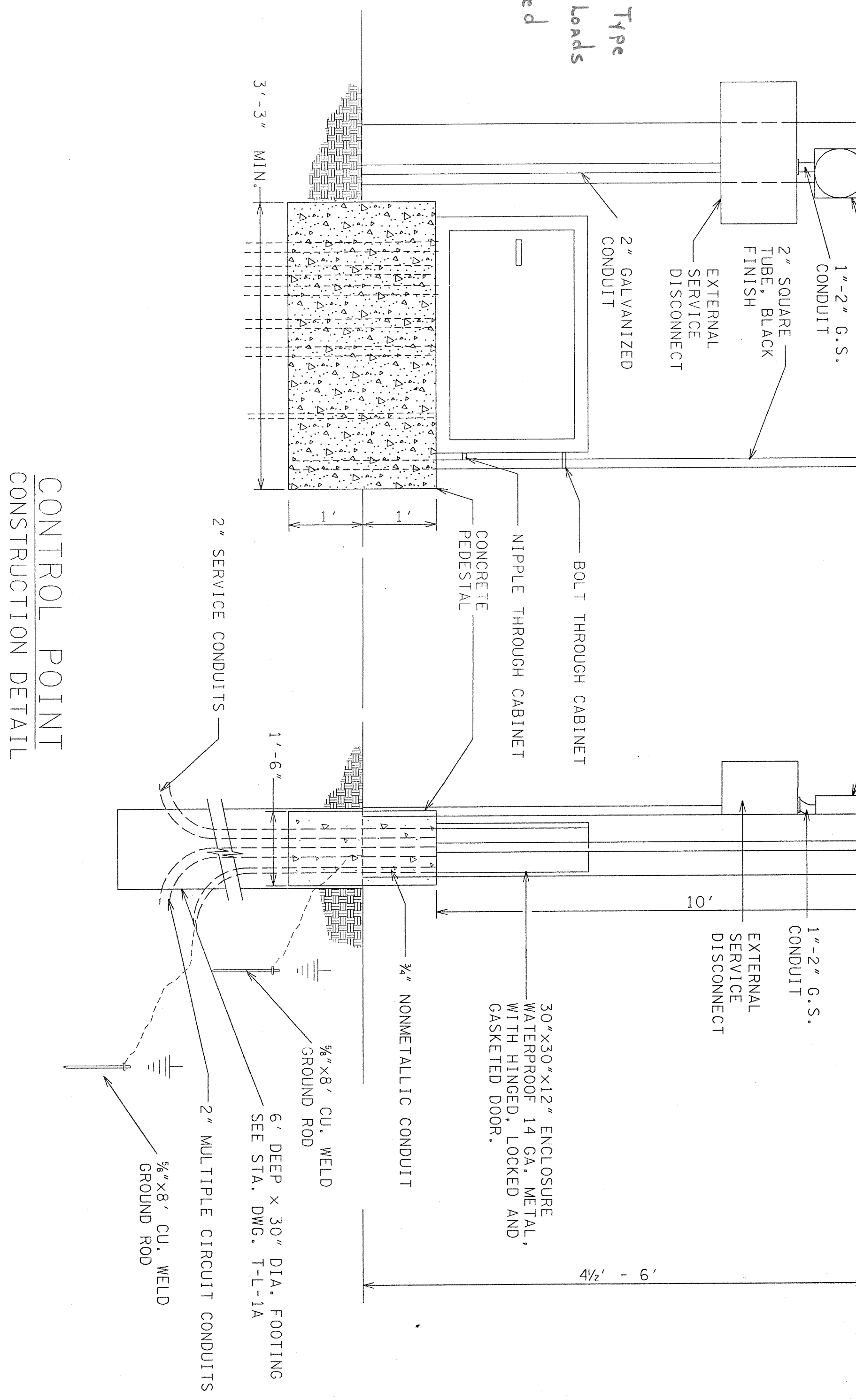


AUB will Evacuate Type  
of Metering after  
Have Bees Established



AUB Needs Final Schematic Plans  
Loading Data

- NOTE:
1. CONTRACTOR IS RESPONSIBLE FOR ALL MATERIAL AND INSTALLATION.
  2. CONTRACTOR TO COORDINATE FINAL LOCATION OF CONTROL POINTS WITH ATHENS UTILITY BOARD.

